

OE9 R65

9-LED Warning Lamp (Surface Mount)

ONE EIGHTY



12~24VDC

FEATURES

- True 180° wide-angle LED warning module.
- Multi-Voltage Input 12~24VDC.
- Built-in 16 selectable flash patterns.
- LEDs rated to 100,000 hours of operation.
- Non-volatile memory recalls last flash pattern used at power up.
- Multiple units are synchronizable and can flash simultaneously or alternately.
- Reverse polarity protection.
- Weatherproof and vibration resistant design for internal or external use.
- Aluminum base for heat dissipation.

SPECIFICATIONS

Meets: ECE R65 (XA1, XB1), ECE R10, IP68

Bulb: High-power LED x 9pcs

Warning Patterns: 16 Flash Patterns

Operating Voltage: 12~24VDC

Avg. Current: 0.58A @12VDC / 0.28A @24VDC
(varies with flash pattern)

Avg. Power: 7 Watts (varies with flash pattern)

Max. Current: 1.16A @12VDC / 0.58A @24VDC

Max. Power: 14 Watts

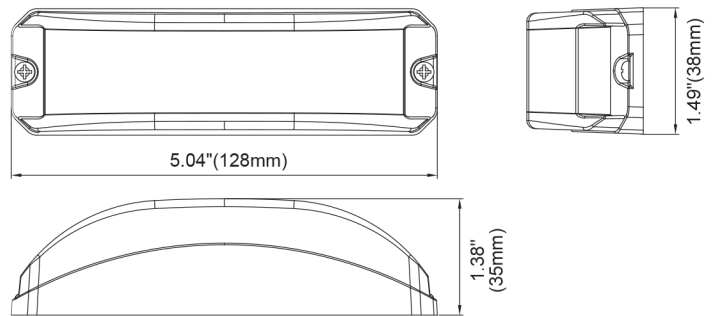
Wires: Red-Vcc : 20cm (20AWG)
Black-GND : 20cm (20AWG)
Yellow-Flash Patterns & Sync : 20cm (20AWG)
White-Alternating Flash : 20cm (20AWG)

Fuse Recommended: 2A

Multi-Unit Synchronization: Over 15 units

Available in: BLUE, AMBER

DIMENSIONS



PART NO.

- **M44-0123A-00**.....AMBER LED (XA1)
- **M44-0123B-00**.....BLUE LED (XB1)
- **M44-0113W-00**.....WHITE LED
- **M44-0113R-00**.....RED LED

FLASH PATTERN

FP#	Flash Patterns	
1	Single (2Hz)	9 Double
2	Double (R65)	10 Triple
3	Triple (2Hz)	11 Quad
4	Quad (2Hz)	12 Quint
5	Random	13 8 Flash
6	Steady	14 Single-Quad
7	Single	15 Single H/L
8	Mega	16 Single-Triple-Quint

Mounting Brackets

99.M44M0.000
(L-BRACKET SINGLE HEAD)

