

# EE911<sup>®</sup>

## 6-LED LIGHT HEAD (Surface Mount)



### FEATURES

- Super low profile for discreet mounting
- Multi-Voltage Input 11~30VDC
- Built-in 19 selectable flash patterns
- LEDs rated to 100,000 hours of operation.
- Non-volatile memory recalls last flash pattern used at power up.
- Multiple units are synchronizable and can flash simultaneously or alternately.
- Reverse polarity protection.
- Weatherproof and vibration resistant design for external or internal use.
- Aluminum base for heat dissipation.

### SPECIFICATIONS

**Meets:** SAE, Title XIII, e13

**Bulb:** 1W LED x 6pcs

**Warning Patterns:** 19 Flash Patterns

**Operating Voltage:** 11~30VDC

**Avg. Current:** 0.4A @12.8VDC / 0.22A @24VDC  
(varies with flash pattern)

**Avg. Power:** 5.5 Watts (varies with flash pattern)

**Max. Current:** 0.8A @12.8VDC / 0.44A @24VDC

**Max. Power:** 10.5 Watts

**Wires:** Red-Vcc : 97cm (20AWG)

Black-GND : 97cm (20AWG)

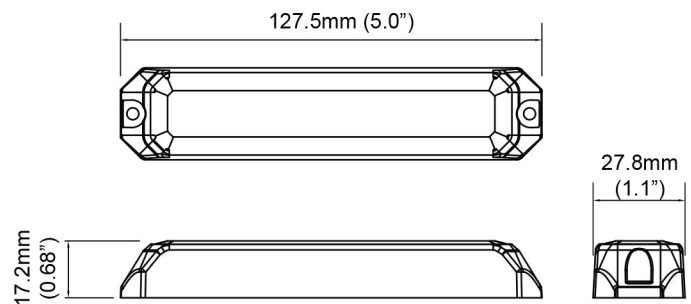
Yellow-Flash Patterns & Sync : 97cm (20AWG)

**Fuse Recommended:** 3A

**Multi-Unit Synchronization:** Over 15 units

**Available in:** RED , BLUE , AMBER , WHITE

### DIMENSIONS



### FLASH PATTERN

FP#	Flash Patterns		
0	Random (all)	10	Double (all)
1	Single (split)	11	Quad (all)
2	Double (split)	12	Quint (all)
3	Quad (split)	13	Mega (all)
4	Quint (split)	14	Ultra (all)
5	Mega (split)	15	Single-Quad (all)
6	Ultra (split)	16	Single H/L (all)
7	Single-Quad (split)	17	Steady 2 (california)
8	Single H/L (split)	18	Steady 4 (all)
9	Single (all)		

\*SPLIT=Left alternate Right \*ALL=all LEDs on