

## AL6 Arc LED

### 6-LED Warning Lamp (Surface Mount)

Surface Mount  
Bezel



### FEATURES

- Super Wide-angle output rated with SAE and ECE R65 Class 1.
- Versatile Surface Mount with or without bezel, suitable for all vehicle bodies and motorcycle storage boxes.
- Non-volatile memory recalls last flash pattern used at power up.
- Multi-units synchronization in simultaneous or alternating flash.
- Reverse polarity protection.
- Fully Weatherproof and vibration resistant design for external or internal use.
- Aluminium base for efficient heat dissipation and maximum durability.

### SPECIFICATIONS

**Meets:** SAE J595 & J845 (R,A,B,W), IPX7,  
ECE R65 (XA1, XB1), ECE R10.

**Bulb:** High-power LED x 6pcs

**Warning Patterns:** 16 Flash Patterns

**Operating Voltage:** 12~24VDC

**Avg. Current:** 0.57A @12VDC / 0.285A @24VDC  
(varies with flash pattern)

**Avg. Power:** 6.84 Watts (varies with flash pattern)

**Max. Current:** 1.14A @12VDC / 0.57A @24VDC

**Max. Power:** 13.7 Watts

**Wires:** Red-Vcc : 20cm (20AWG)

Black-GND : 20cm (20AWG)

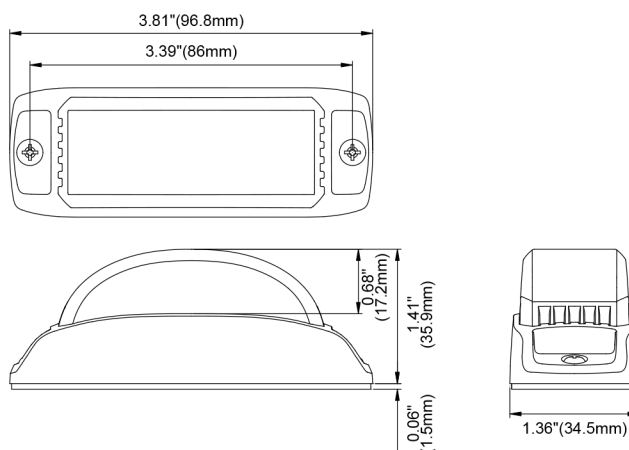
Yellow-Flash Patterns & Sync : 20cm (20AWG)

**Fuse Recommended:** 2A

**Multi-Unit Synchronization:** Over 15 units

**Available in:** RED, BLUE, AMBER, WHITE

### DIMENSIONS



### PART NO.

- M58-0030C-00R (SAE, AMBER)
- M58-0030B-00R (SAE, BLUE)
- M58-0030R-00R (SAE, RED)
- M58-0030W-00R (SAE, WHITE)
- M58-1030C-00R (R65, AMBER)
- M58-1030B-00R (R65, BLUE)
- M58-2030R-00R (R10, RED)
- M58-2030W-00R (R10, WHITE)

### FLASH PATTERN

Flash Patterns			
1	Double [R65]	9	Double [SAE]
2	Single [2Hz]	10	Triple [SAE]
3	Triple [2Hz]	11	Quad [SAE]
4	Quad [2Hz]	12	Quint [SAE]
5	Random	13	Ultra [SAE]
6	Steady	14	Single-Quad
7	Single [SAE]	15	Single H/L
8	Mega	16	Singe-Triple-Quint